

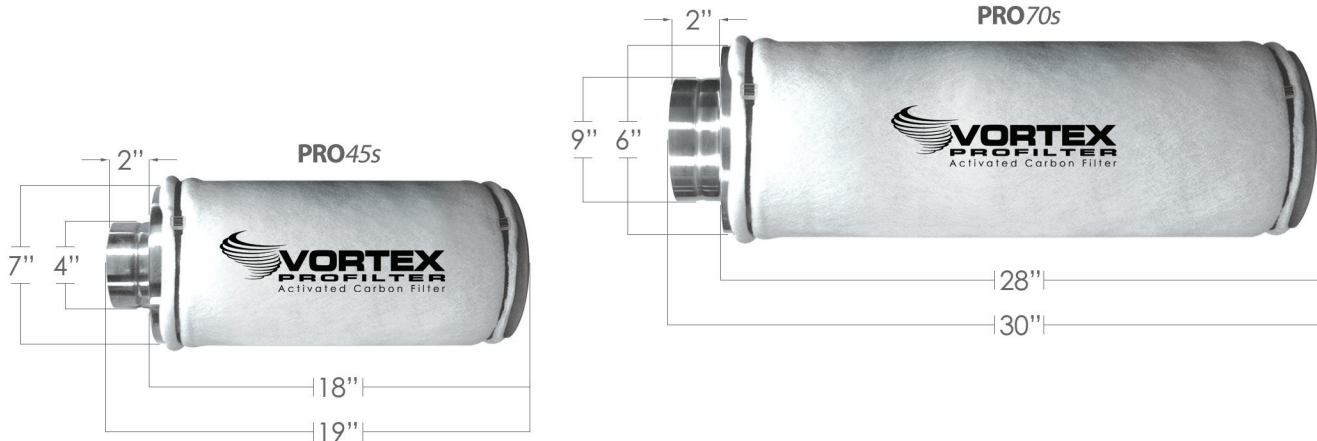


VORTEX PROFILTER

Activated Carbon Filter

Industrial Activated Carbon Filter
for Heavy Duty Applications

Manufactured with only the finest high porosity activated carbon, the **PROfilters 45s and 70s** effectively remove 99.5% of volatile organic compounds. The factory installed high capacity **PREfilter** eliminates bigger particles such as dust to prevent premature usage of the carbon. Rated for a continuous worry-free operation, light weight and its compact dimensions, make the **PROfilters 45s and 70s** ideal for residential filtration.



MODEL	Recommended Maximum CFM	Flange	Outside Diameter	Height	Weight	Carbon Bed Width	Recommended Fan	Pressure Drop at Max CFM
PRO45s	150 at 0.1 sec	4" fixed	7"	18in. 46cm	13.8 lbs.	1.6" (40.64mm)	VTX400	80pa/.75wg
PRO70s	400 at 0.1 sec	6" fixed	9"	28in. 71cm	28.6 lbs.	1.6" (40.64mm)	VTX600 & S-600	80pa/.75wg

All PROfilter products come with a **PREfilter** included.

All PROfilters have a Max Operating Temperature of 175°F.



High capacity prefilter
- 20mm thickness
- Low air resistance
- Antibacterial
- High capacity: 670g / M²
- Flame retardant



High quality galvanized perforated steel.



High quality galvanized steel.



High porosity virgin extruded activated carbon 4mm. Specially designed to remove VOC. 66mm bed thickness.

PROfilter accessories

PREfilters

PRE45s



PRE70s